

GR LD DUAL STAGE TENSIONER

THE MOST ADVANCED INDUSTRIAL TIGHTENING TOOL



Specially designed for blade and tower bolt applications. Double Pressure Areas working up to 1500bar, can meet the requirements of almost all applications, regardless of how radially restrictive it is.

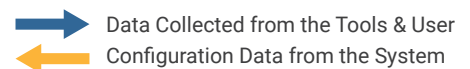
Long lasting, made of ultra-high strength steel, with our State of the Art gear rotating system than has proved to be the most reliable in the market. Positive Stop to avoid over stroking. **Safe, Anti-Projection System in case of puller failure tested and certified by SGS.**

» BOLTPILOT® INSIDE

The BoltPilot System is a Multi-Farm Platform that defines the complete Wind Farm, each Turbine and each Turbine's bolted joints. From that valuable information, the System Controls, Guides, Assures and Records all bolt tightening processes without interfering with the existing procedures.

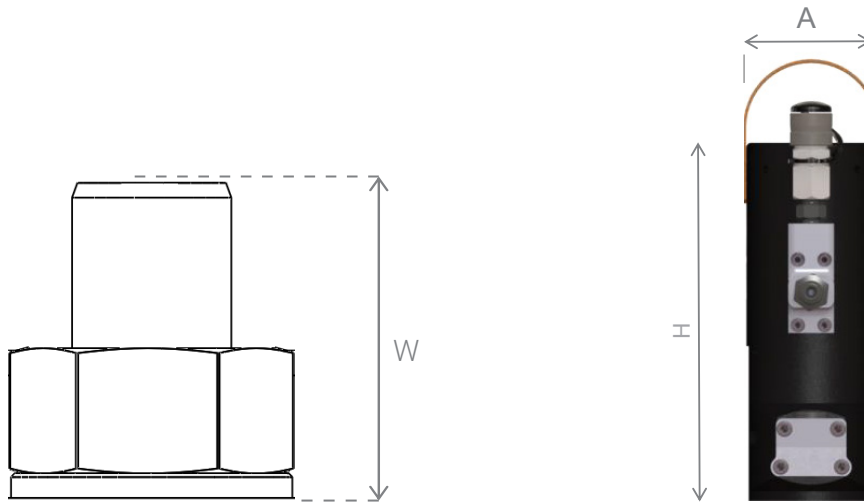
Among all other features, the System will assure and record:

- Torque or Torque and Angle Applied.
- Tension or Tension and Residual Elongation.
- Skidmore Calibration Procedures.
- Manufacturer's Specific Procedures.



GR LD DUAL STAGE TENSIONER

THE MOST ADVANCED INDUSTRIAL TIGHTENING TOOL



Model	Stud Size	Max. Pressure	Tool Load Capacity	Hydraulic Pressure Area	Effective O.D. (A)	Tool Height (H)	Max. Stroke	Stud protrusion over flange (mm) (W)		Complete Tool Weight
	<i>Metric</i>	<i>bar</i>	<i>kN</i>	<i>mm²</i>	<i>mm</i>	<i>mm</i>	<i>mm</i>	<i>Min</i>	<i>Max</i>	<i>kg</i>
GR20 LD	M20	1.500	196	1309,65	57	149	7	41	45	3,5
GR24 LD	M24	1.500	285	1.901,84	62	168	7	51	55	4,3
GR30 LDB	M30	1.350	462,5	3.426,00	73,5	207	7	59	83	6,5
GR33 LD	M33	1.350	562,1	4.163,63	78,5	233,5	10	70,5	90,5	7,1
GR36 LD	M36	1.350	674,4	4.995,65	85	236	10	70	91	8,8
GR39 LD	M39	1.350	803,5	5.952,13	92	243	10	80	95	10
GR42 LD	M42	1.500	974,5	6.496,84	98,5	264	10	80	107	13
GR45 LD	M45	1.500	1105	7.366,50	103	281	10	91	107	14
GR48 LD	M48	1.500	1193,7	7.957,95	109	279	10	100	120	15,8
GR52 LD	M52	1.500	1424,3	9.495,13	121	300	10	109	130	19
GR56 LD	M56	1.500	1671,5	11.143,61	126	324	10	116	143	25
GR64 LD	M64	1.500	2244,9	14.965,84	142	334	10	131	165	30,5

» MAIN FEATURES

RELIABILITY

Quick and reliable return, with disc springs.

USER FRIENDLY

Ergonomic handle. Easy assembly and disassembly without specific tools, making it easy to maintain and repair. Visual control of bolt elongation: Stroke indicator indicates 50% and 100%. Socket position in sight.

SIMPLICITY

The GR LD range are the smallest diameter tensioners. Metrics from M20 to M64

SAFETY

Anti-projection system in case of broken puller. Positive Stop system, limiting the tensioner stroke

OPTIMIZED DESIGN

Its double hydraulic chamber ensures a high load in a smaller diameter, which favors its use in applications with limited radial space.

The GR LD's range covers a large number of applications in the wind industry. The standard range has been designed for metric threads and is available for different types and sizes of nuts as well as pitch and thread tolerance. Versatile, easy to adapt. Metric and special threads on request.